

RC75\_1  
RC75\_1.SCH

RC75\_2  
RC75\_2.SCH

RC75\_3  
RC75\_3.SCH

RC75\_4  
RC75\_4.SCH

RC75\_5  
RC75\_5.SCH

RC75\_6  
RC75\_6.SCH

RC75\_7  
RC75\_7.SCH

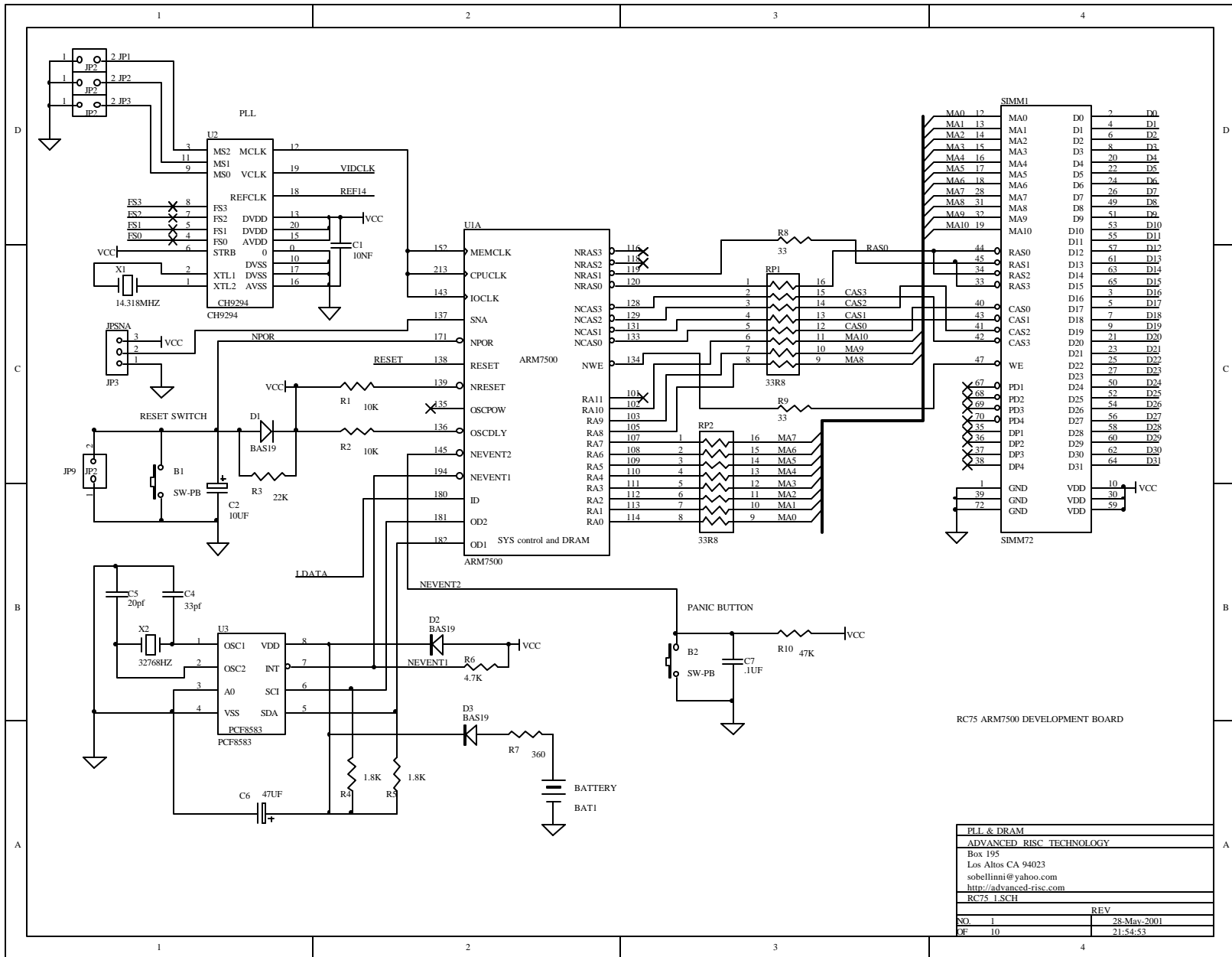
RC75\_8  
RC75\_8.SCH

RC75\_9  
RC75\_9.SCH

RC75\_10  
RC75\_10.SCH

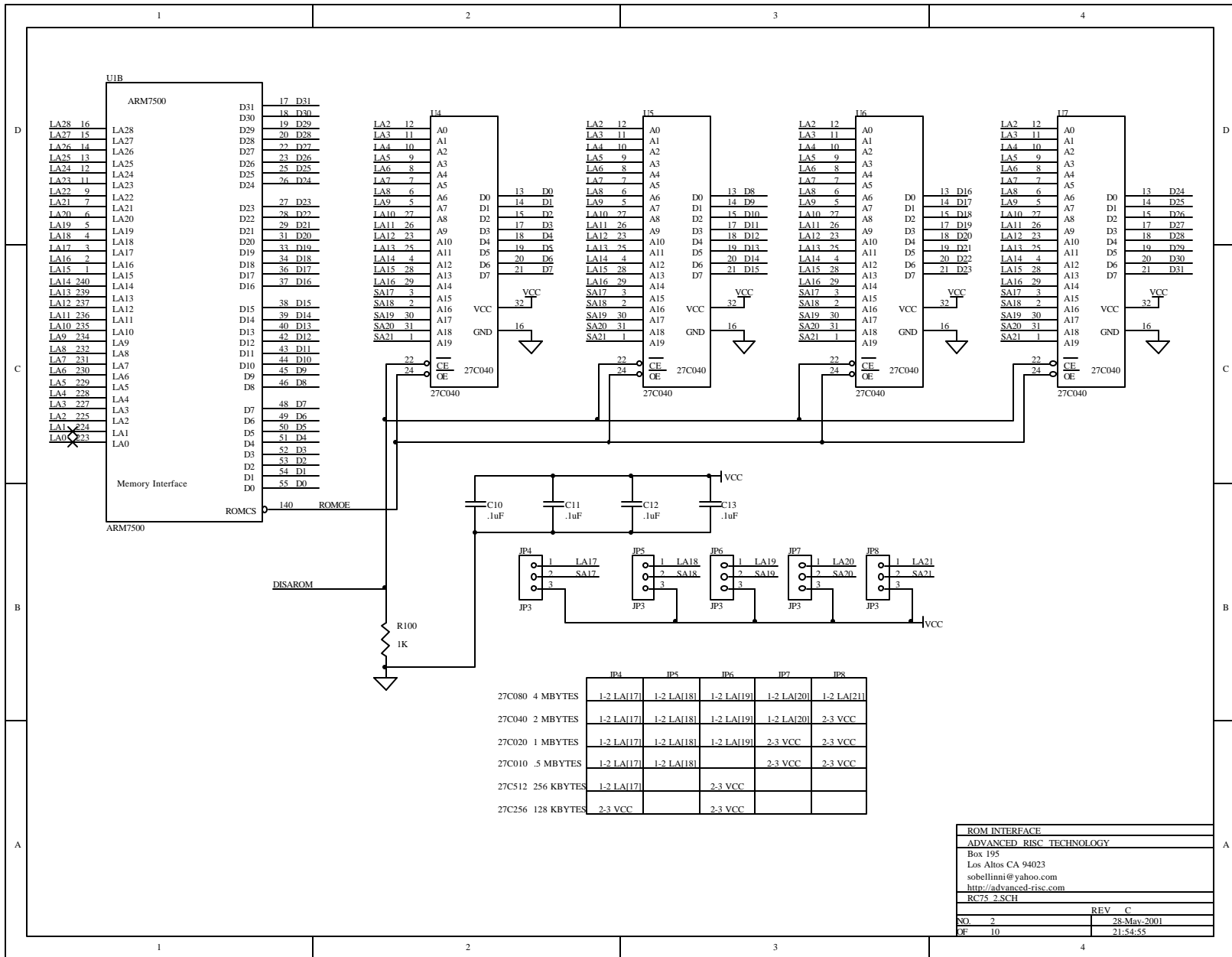
Dual Serial & Parallel Interfaces

RC75	
ADVANCED RISC TECHNOLOGY	
Box 195	
Los Altos CA 94023	
sobellinni@yahoo.com	
http://advanced-risc.com	
RC75.sch	
RC75 MASTER	REV C
NO 0	28-May-2001
OF 11	21:54:53

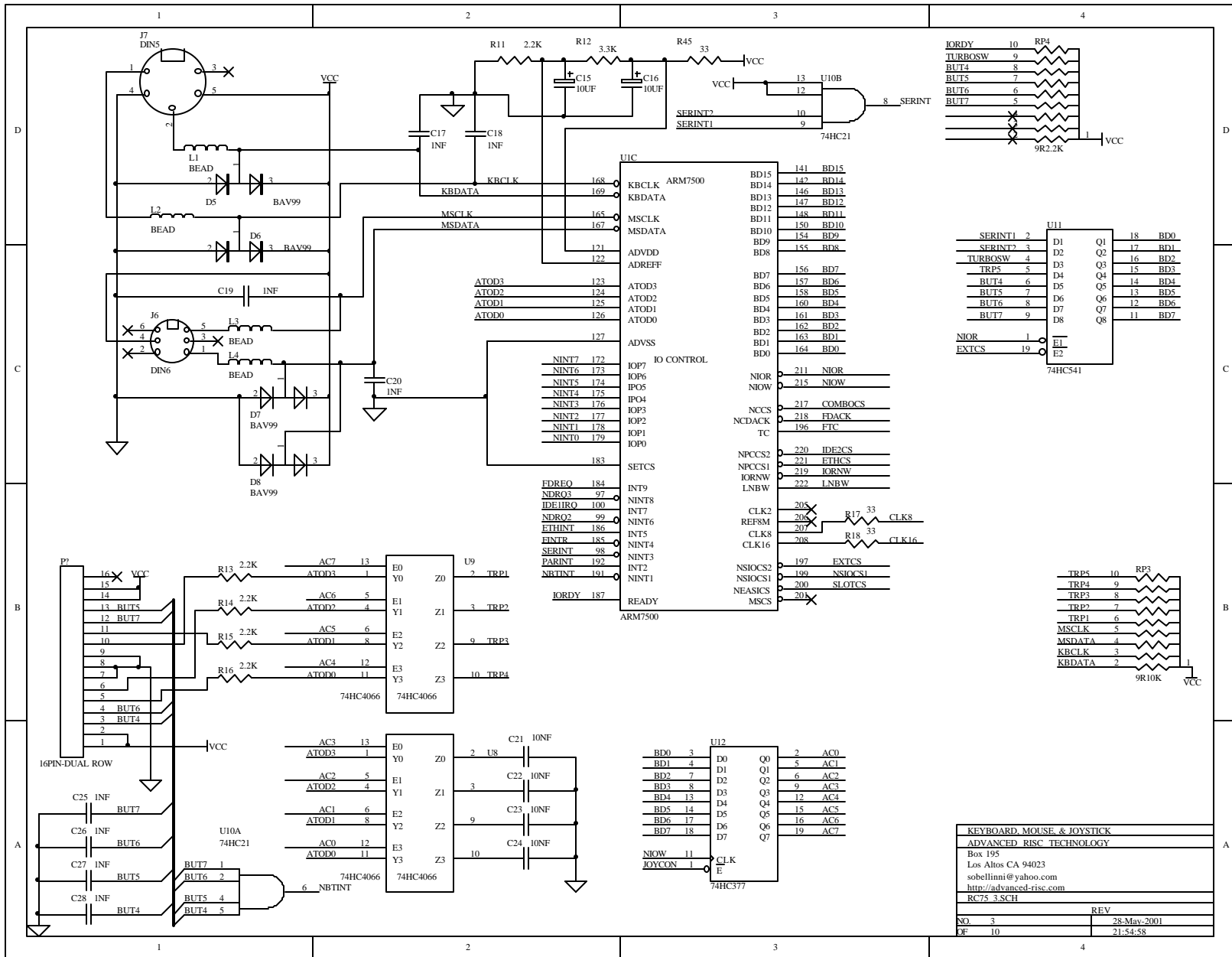


RC75 ARM7500 DEVELOPMENT BOARD

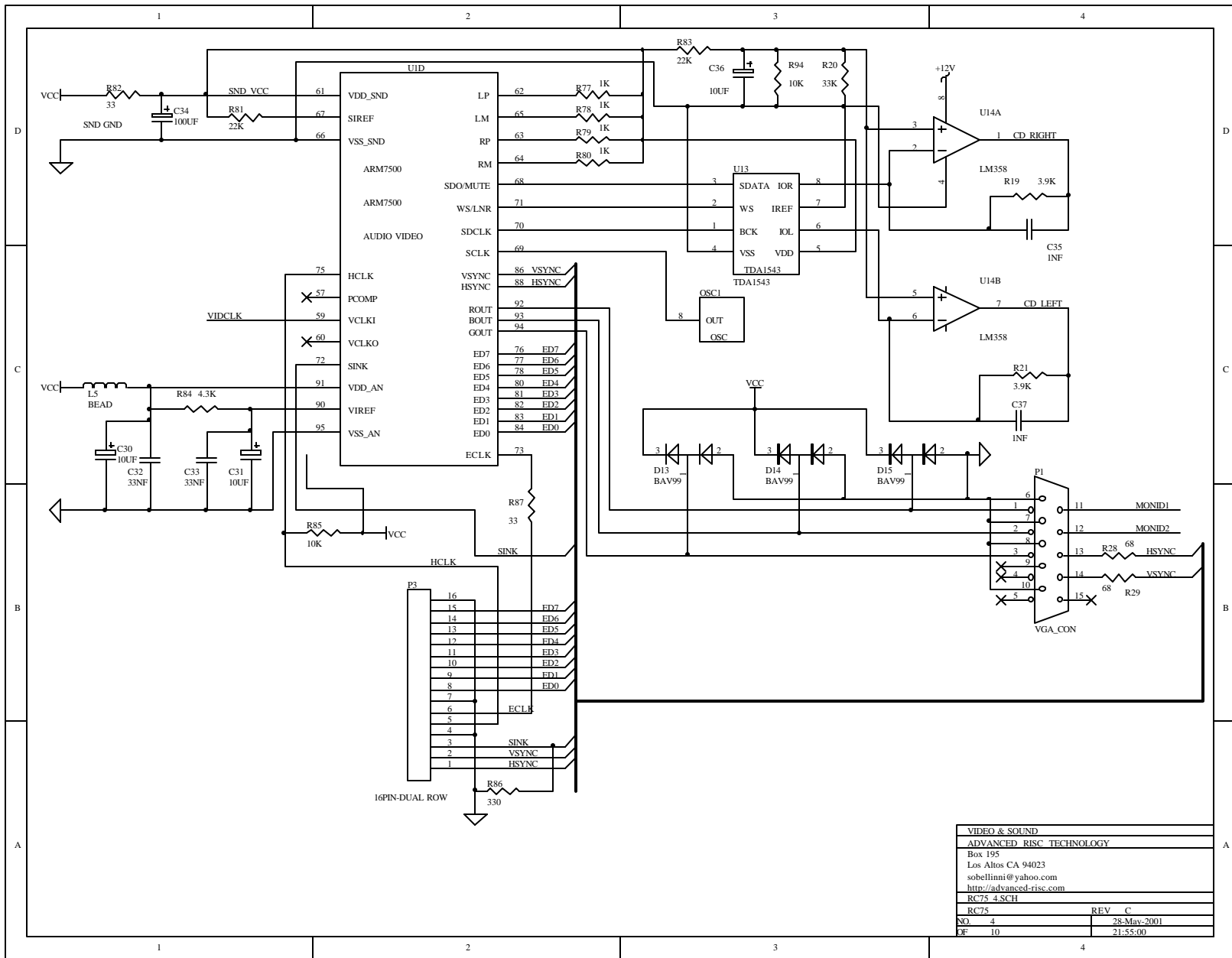
PLL & DRAM	
ADVANCED RISC TECHNOLOGY	
Box 195	
Los Altos CA 94023	
sobellinni@yahoo.com	
http://advanced-risc.com	
RC75 1.SCH	
NO	REV
1	28-May-2001
OF 10	21:54:53



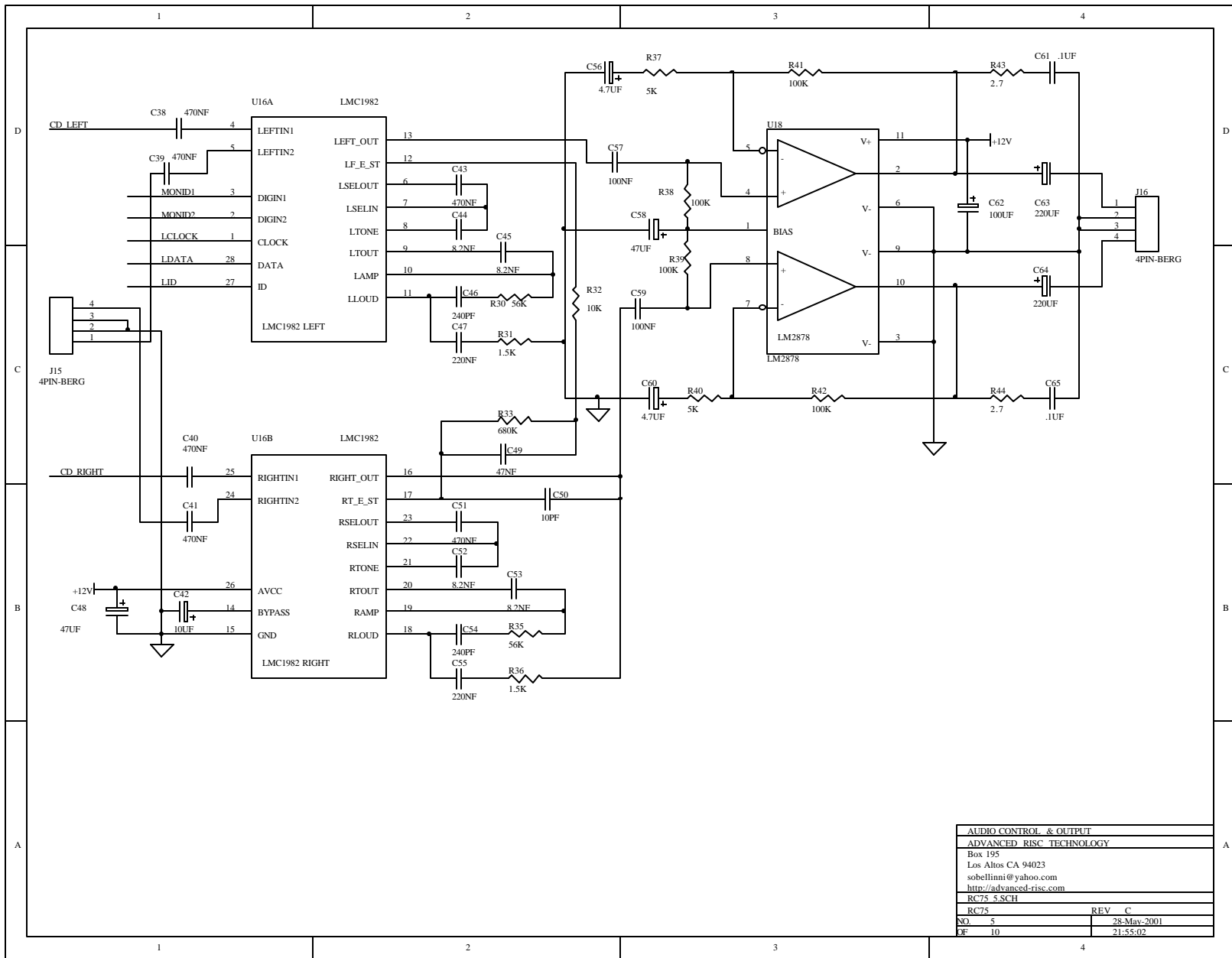
**ROM INTERFACE**  
**ADVANCED RISC TECHNOLOGY**  
 Box 195  
 Los Altos CA 94023  
 sobellinni@yahoo.com  
 http://advanced-risc.com  
**RC75-2SCH**  
 REV C  
 NO. 2 28-May-2001  
 OF 10 21:54:55



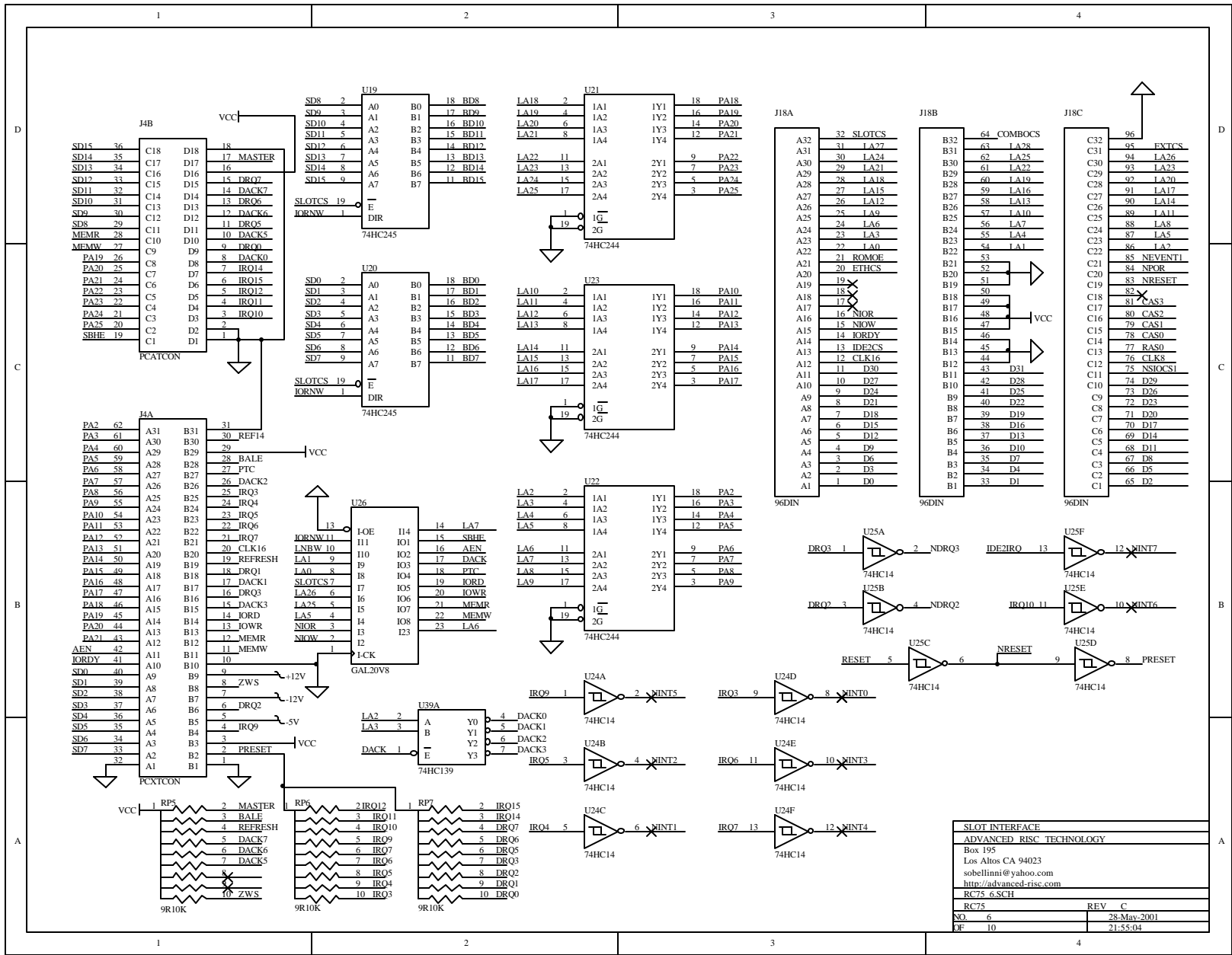
KEYBOARD, MOUSE, & JOYSTICK	
ADVANCED RISC TECHNOLOGY	
Box 195	
Los Altos CA 94023	
sobellinni@yahoo.com	
http://advanced-risc.com	
RC75_3.SCH	
NO	REV
3	28-May-2001
OF 10	21:54:58



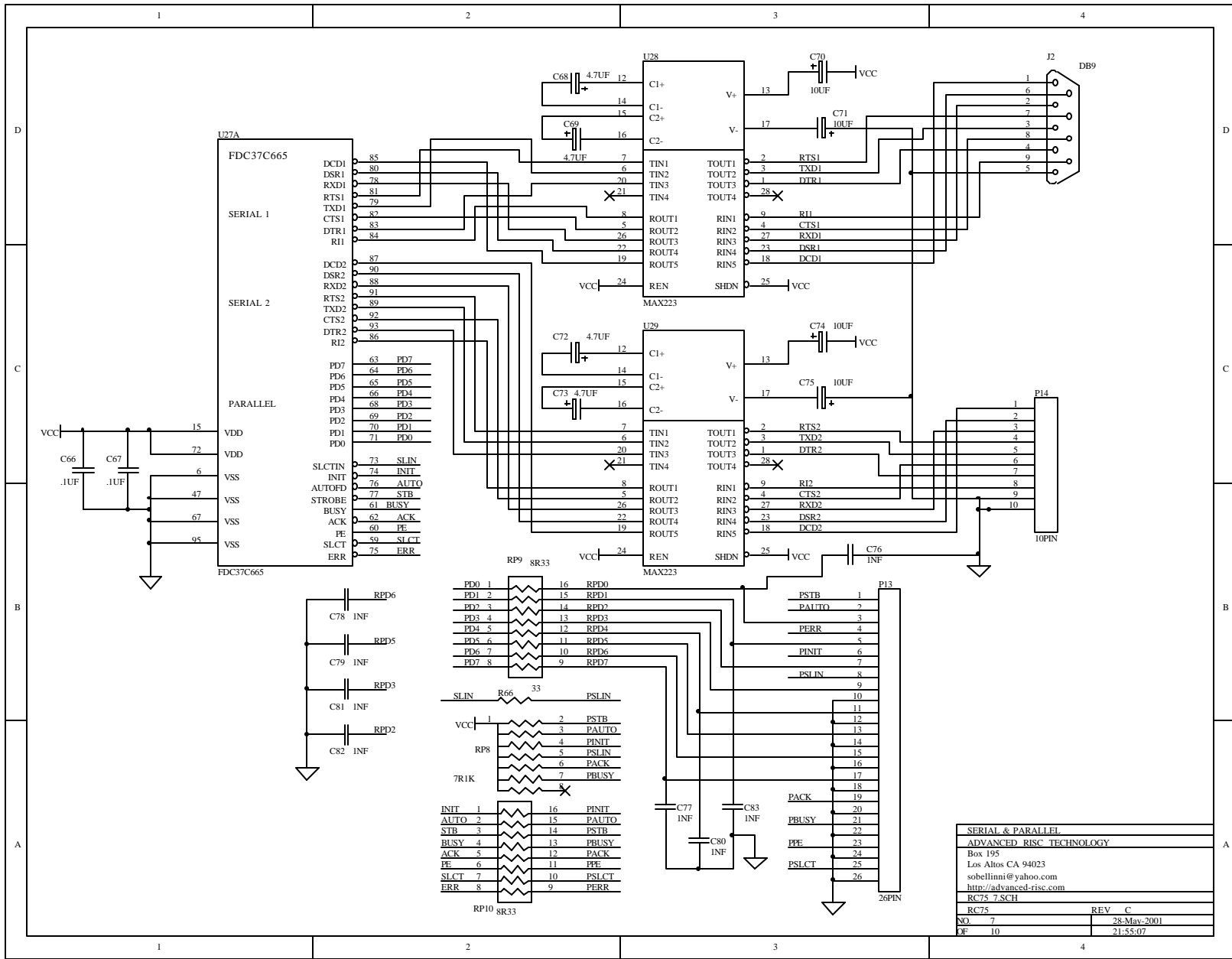
VIDEO & SOUND	
ADVANCED RISC TECHNOLOGY	
Box 195	
Los Altos CA 94023	
sobellinni@yahoo.com	
http://advanced-risc.com	
RC75-4SCH	
REV	C
NO	28-May-2001
OF	21:55:00



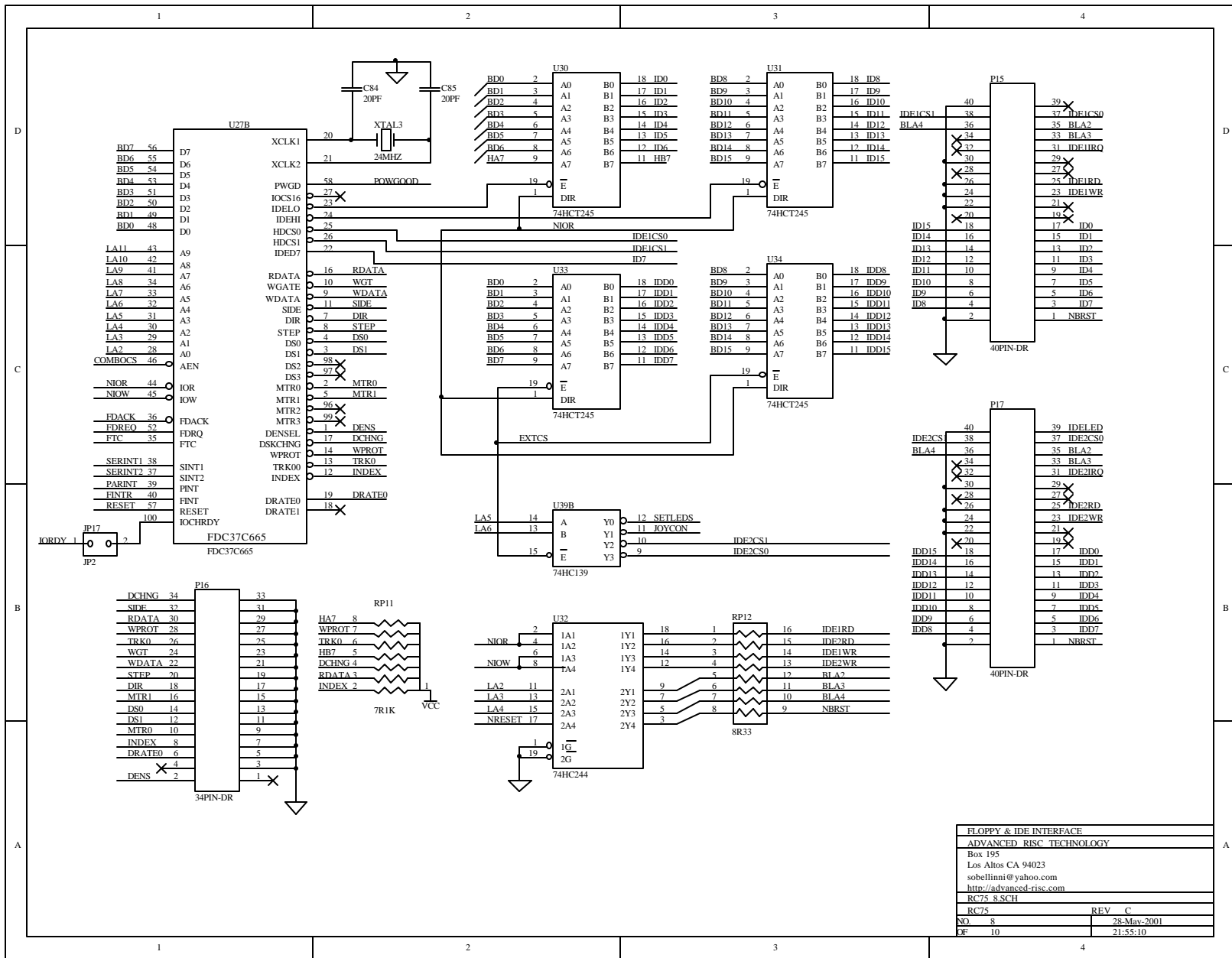
AUDIO CONTROL & OUTPUT	
ADVANCED RISC TECHNOLOGY	
Box 195	
Los Altos CA 94023	
sobellinni@yahoo.com	
http://advanced-risc.com	
RC75-5.SCH	
NO. 5	REV. C
DF 10	28-May-2001
	21:55:02

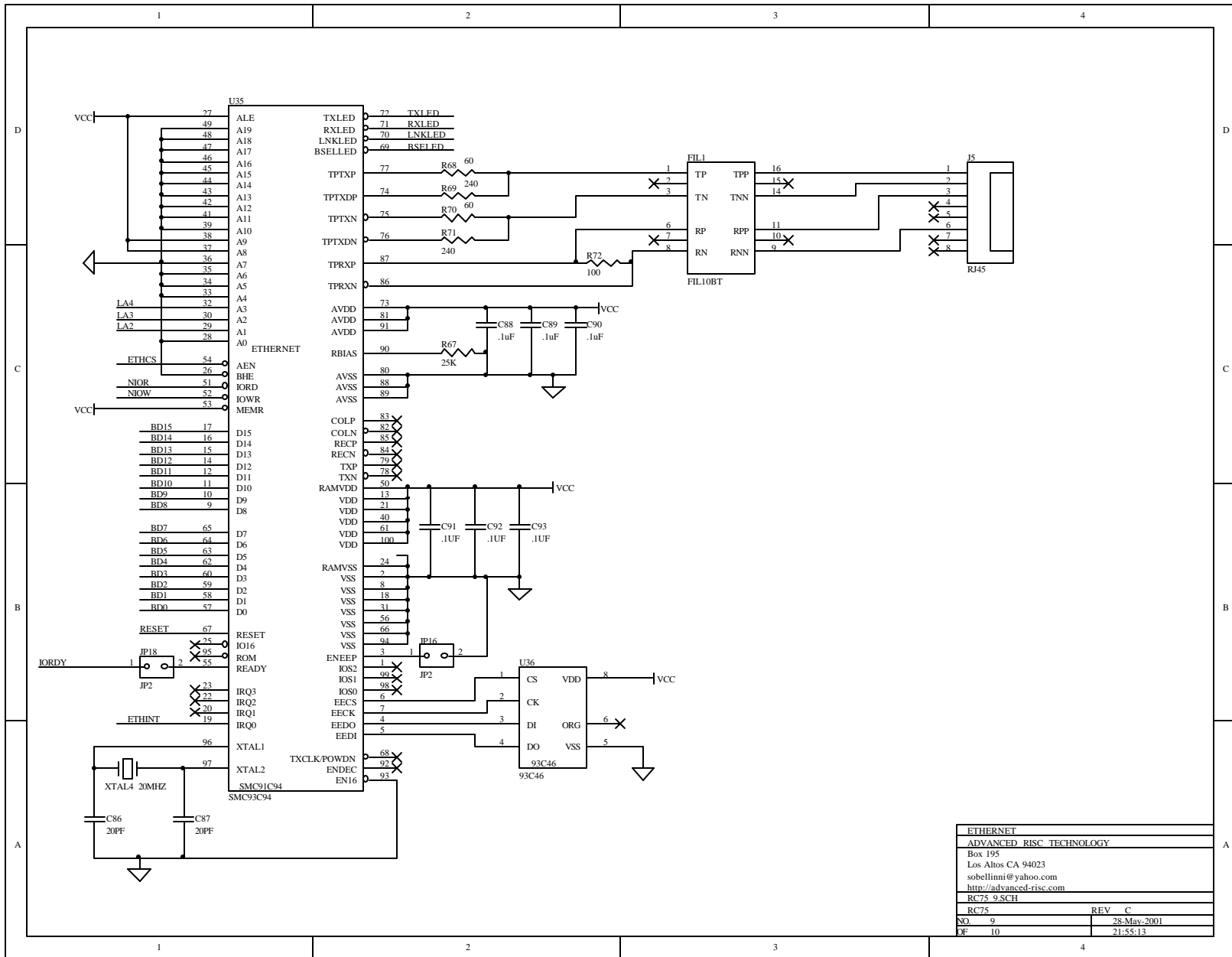


SLOT INTERFACE	
ADVANCED RISC TECHNOLOGY	
Box 195	
Los Altos CA 94023	
sobellinni@yahoo.com	
http://advanced-risc.com	
RC75-6SCH	
REV C	
NO. 6	28-May-2001
DF 10	21:55:04

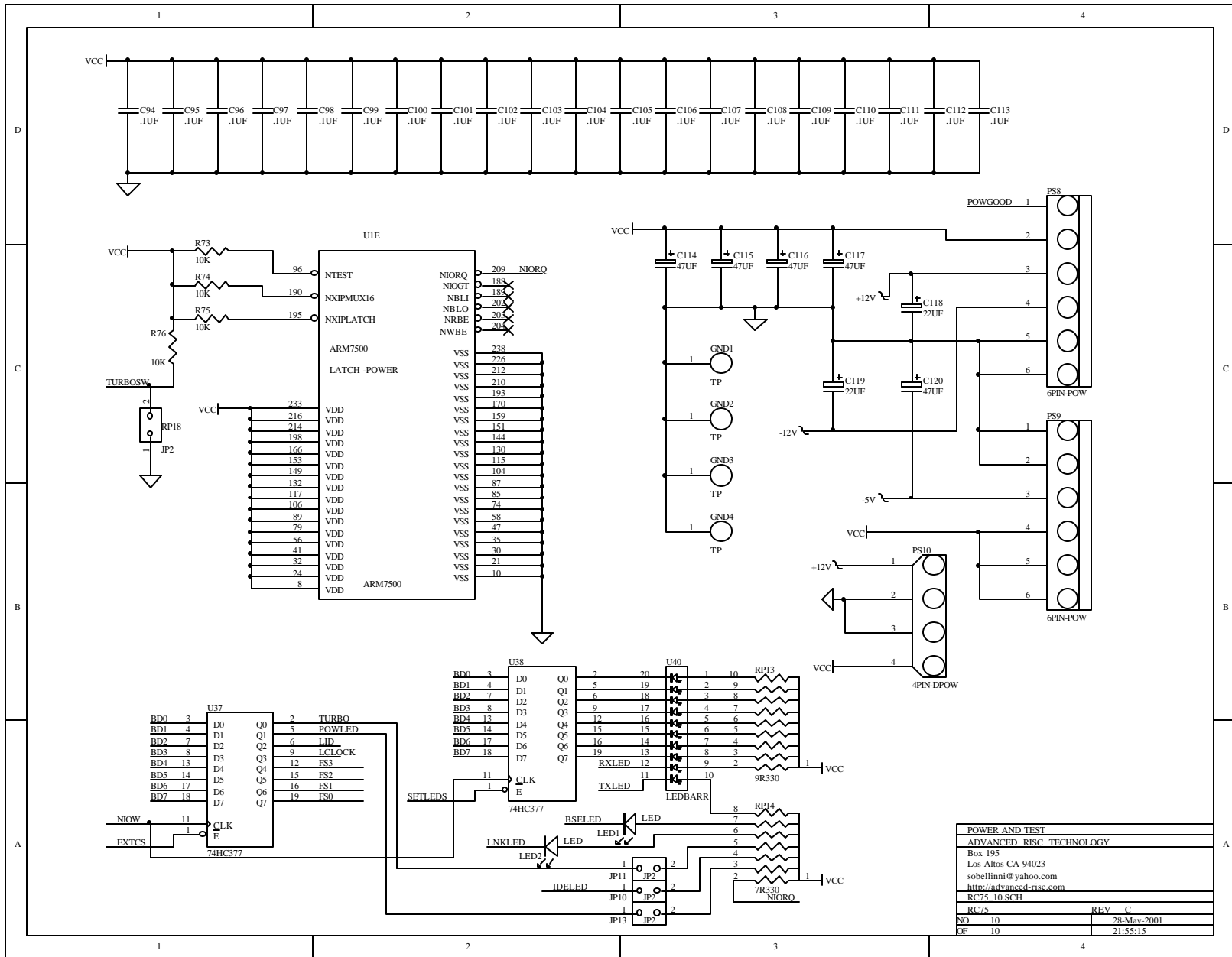








ETHERNET	
ADVANCED RISC TECHNOLOGY	
Box 195	
Los Altos CA 94023	
sobellinni@yahoo.com	
http://advanced-risc.com	
RC75-9.SCH	
NO. 9	REV. C
DF. 10	28-May-2001
	21:55:13



POWER AND TEST	
ADVANCED RISC TECHNOLOGY	
Box 195	
Los Altos CA 94023	
sobellinni@yahoo.com	
http://advanced-risc.com	
RC75_10.SCH	
NO	REV C
SD	28-May-2001
DF	21:55:15